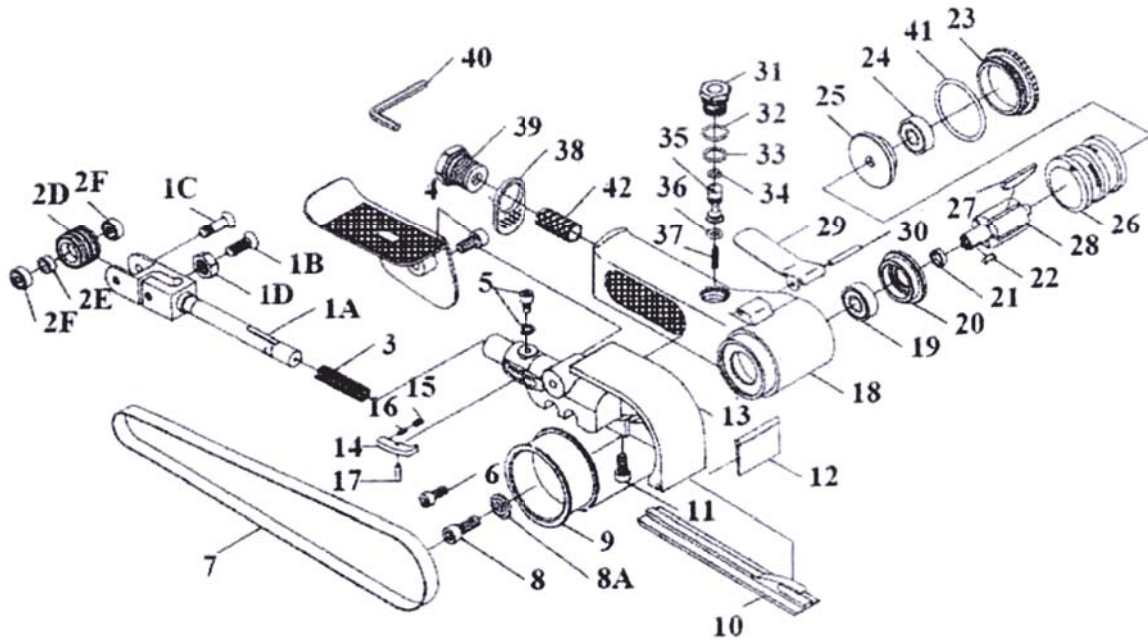


# 331020 产品组合图

## 20mm AIR BELT SANDER



No.	Part No.	Description	Q'ty	No.	Part No.	Description	Q'ty
1A	280001A	Idle Pulley Bracket Sub Ass'y	1	19	2800019	Ball Bearing	1
1B	280001B	Set Screw	1	20	2800020	End Plate B	1
1C	280001C	Screw	1	21	2800021	Spacer	1
1D	280001D	Net	1	22	2800022	Sunk Key	1
2D	280002D	Idle Pulley	1	23	2800023	Cap	1
2E	280002E	Washer	1	24	2800024	Ball Bearing	1
2F	280002F	Ball Bearing	2	25	2800025	End Plate A	1
3	2800003	Spring	1	26	2800026	Cylinder	1
4	2800004	Finger Pad Assy	1	27	2800027	Blade Assy(5pc/set)	5
5	2800005	Key Bolt Assy	1	28	2800028	Rotor	1
6	2800006	Hexagon Socket Head Bolt	1	29	2800029	Throttle Lever	1
7	2800007	Grinding Belt	1	30	2800030	Lever Pin	1
8	2800008	Hexagon Socket Head Bolt	1	31	2800031	Valve Body	1
8A	280008A	Washer	1	32	2800032	O-Ring	1
9	2800009	Drive Pulley	1	33	2800033	O-Ring	1
10	2800010	Flat Shoe	1	34	2800034	O-Ring	1
11	2800011	Hexagon Socket Head Bolt	1	35	2800035	Valve Stem	1
12	2800012	Dust Cover	1	36	2800036	O-Ring	1
13	2800013	Guard Body	1	37	2800037	Valve Spring	1
14	2800014	Tension Bar	1	38	2800038	Deflector	1
15	2800015	Spring	1	39	2800039	Air Inlet	1
16	2800016	Lever Pin	1	40	2800040	Hex. Wrench 4mm	1
17	2800017	Lever Pin	1	41	2800041	O-Ring	1
18	2800018	Housing	1	42	2800042	Wool	1